

## 隔膜式蓄能器/Diaphragm Accumulator



### 一、概述/General Description

GXQ系列隔膜式蓄能器用于吸收脉动、吸收冲击，补偿泄漏。  
GXQ series diaphragm accumulators are used to absorb pulsation, shock, and compensation for leakage.

### 二、内部结构/Structure

隔膜式蓄能器 型式:焊接式  
A型焊接式:

焊接的压力容器,气端可用本公司生产的GCQJ 充气工具充气油端连接可有多钟型式。  
柔性隔膜(不可更换),用于隔离油液和气体。  
设置在隔膜底部的阀座。

There are two types: the diaphragm accumulator welding type and screw type  
Welding Type A:  
Welding of pressure vessels, use chaori GCQJ charging, oil has been connected to a variety of types.  
The flexible diaphragm (not change), is used to isolate the oil and gas.  
Set the diaphragm at the bottom of the seat.

### 三、型号说明/Ordering Code

**GXQ - A - ※ / ※ - 1 - 1 - A - (※)**

名称代号:隔膜式蓄能器  
Product Name:Diaphragm accumulator

结构型式:A型  
Structure type: A type

公称容积/Nominal volume: 0.16~3.5L

设计压力/Nominal pressure: 10MPa, 21Mpa, 33Mpa

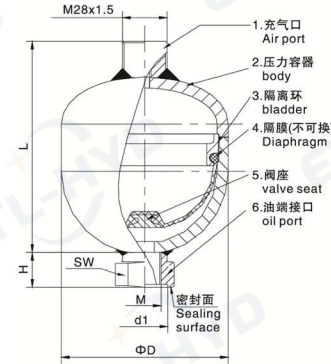
壳体材料/Shell material: 1.碳钢 Carbon steel 2.不锈钢 Stainless steel

隔膜材料/Diaphragm material: 1.丁腈 NBR 2.丁基 IIR 3.氟 FKM 4.氯丁 ECO 5.其它 Others

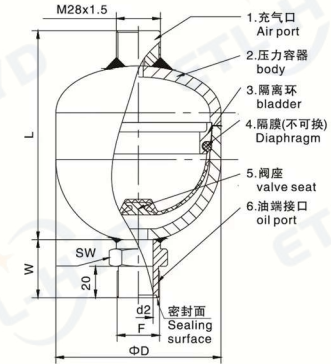
连接形式/Connection Type: A:内螺纹Female thread B:其它Others C:外螺纹Male thread

默认无预充气压力 Default: No pre-inflation pressure

## 四、内部结构及外形尺寸/Structure and Dimension



A型连接口  
A Connection Type



C型连接口  
C Connection Type

### 1.A型隔膜式蓄能器/A Type diaphragm Accumulator

型号/ Model	公称容积 Nominal volume L	工作压力 Nominal pressure MPa	ΦD mm	L mm	H mm	油端接口 Connection Type			W mm	SW
						A型 /d1		C型		
						公制/Metric	英制/Inch			
GXQ-A	0.16	10	74	105	21	M14x1.5/Φ18x2.4	G1/2 /Φ28x3.1	M18x1.5	36	32
	0.25		84	110						
	0.32		93	118						
	0.5	21	33	105	135	25	M18x1.5 /Φ22x2.4	G1/2 /Φ28x3.1	M33x1.5/	36
	0.6			115	147					
	0.75			121	147					
	1			136	163					
	1.4	150	181	30	M22x1.5 /Φ30x3.1	G3/4 /Φ32x3.1	M45x1.5/	42	41/46	
	2	170/173	198							
	2.8	170/173	252							

### 五、订货说明/Booking Note

- 1.订货时须写明型号代号全称,如:公称容积为0.75L,设计压力21MPa,壳体材料为碳钢,隔膜材料为NBR螺纹连接的隔膜式蓄能器,GXQ-A-0.75/21-1-1-A
  - 2.若对隔膜式蓄能器有接口尺寸等特殊要求时,请同本企业商洽。
  - 3.本企业保留设计更改权,对修改不另行通知。
- 1.Full type code is needed when booking. For example: nominal volume of 0.75L, design pressure of 21MPa, shell material of carbon steel, diaphragm material of NBR threaded connection: GXQ-A-0.75/21-1-1-A
  - 2.Contact us if special requirement is needed
  3. Design change is retained by our company and amendment is effected without further notice.